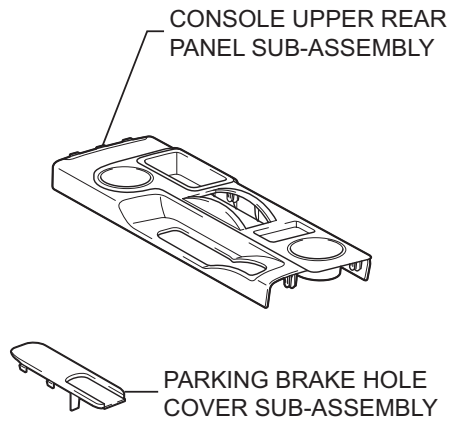


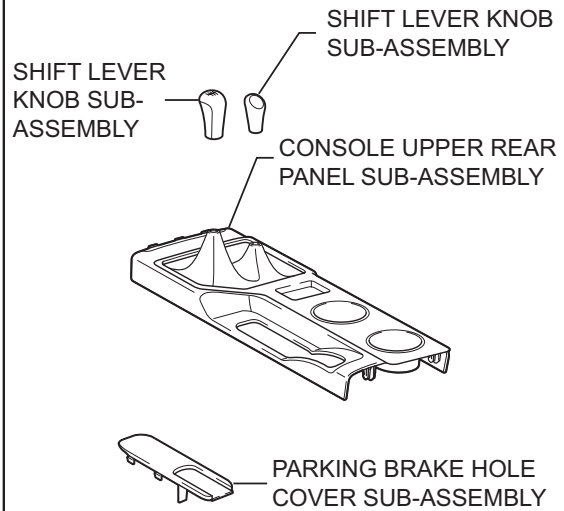
POWER OUTLET SOCKET

COMPONENTS

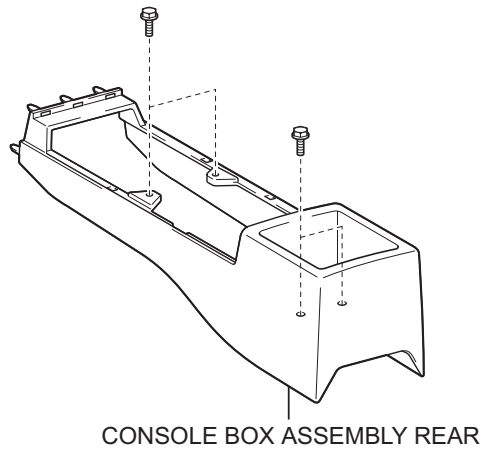
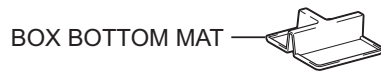
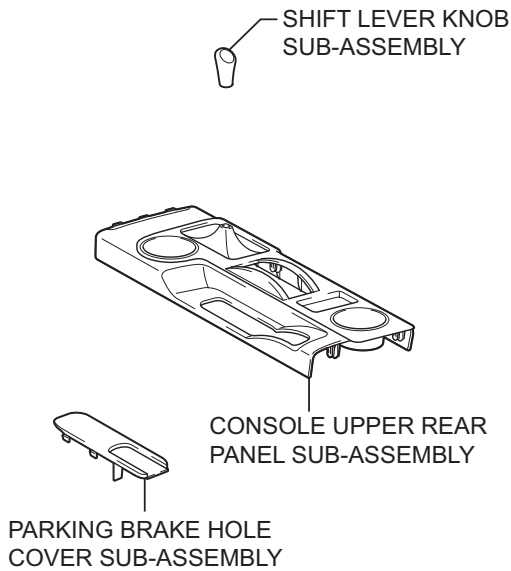
for Automatic Transmission 2WD:



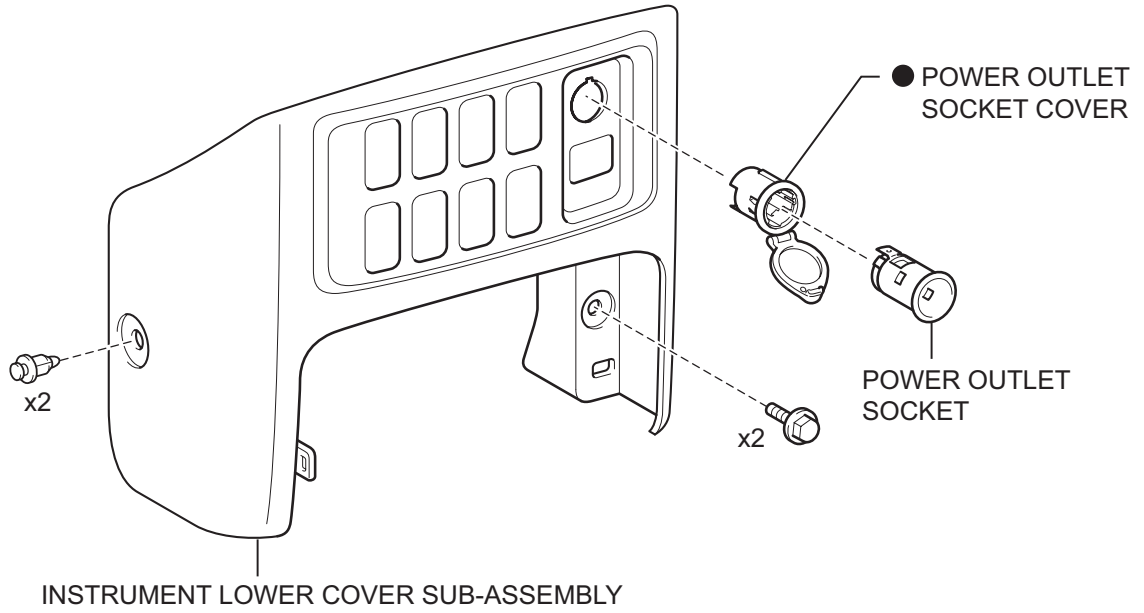
for Manual Transmission 4WD:



for Automatic Transmission 4WD:



OT



● Non-reusable part

OT